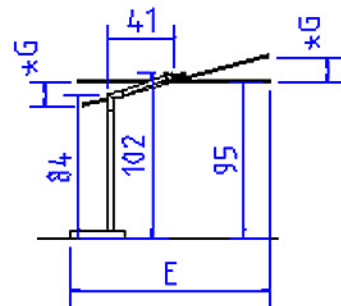
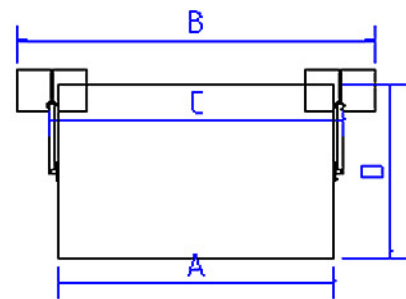
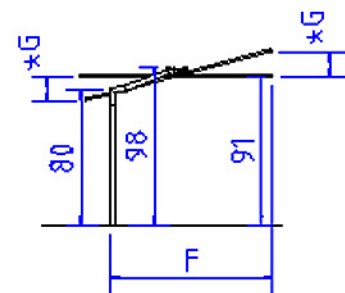
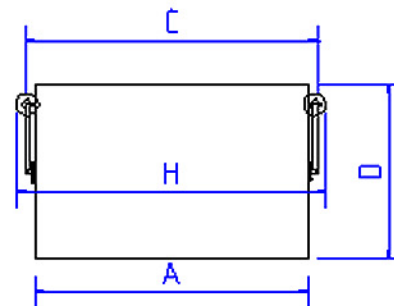


FLEXY WITH FREESTANDING BASE



FLEXY WITH GIB OR DMT



* Each tooth in the tilt casting corresponds to an incline change of G inches

TABLE OF MEASUREMENTS IN INCHES, rounded to the NEAREST INCH

| NOMINAL FLEXY SIZE | A | B | C | D | E | F | G | H | I | L |
|--------------------|-----|-----|-----|-----|-----|-----|----|-----|---|---|
| 10 X 16 | 192 | 253 | 205 | 118 | 124 | 104 | 13 | 218 | — | — |
| 10 X 14 | 168 | 229 | 181 | 118 | 124 | 104 | 13 | 194 | — | — |
| 10 X 12 | 145 | 206 | 157 | 118 | 124 | 104 | 13 | 170 | — | — |
| 10 X 10 | 122 | 183 | 134 | 118 | 124 | 104 | 13 | 147 | — | — |
| 8 X 16 | 192 | 253 | 205 | 98 | 114 | 94 | 13 | 218 | — | — |
| 8 X 14 | 168 | 229 | 181 | 98 | 114 | 94 | 13 | 194 | — | — |
| 8 X 12 | 145 | 206 | 157 | 98 | 114 | 94 | 13 | 170 | — | — |
| 8 X 10 | 122 | 183 | 134 | 98 | 114 | 94 | 13 | 147 | — | — |